

**LUCAS**  
**GIRLING**

**EQUIPMENT AND  
SERVICE PARTS**

**CE826/67**

**ENFIELD**

Motor Cycles

**1967**





**EQUIPMENT SPECIFICATIONS AND PAGE INDEX**

UNIT	See Page	248 c.c. 'Continental' 'GT'		750 c.c. 'Interceptor' 12 volt U.S.A.	
		Model	Part No.	Model	Part No.
<b>ALTERNATOR serviced by:—</b> ... ..	3	RM18	—	RM19	—
Rotor ... ..	3	—	54213903	—	54213901
Stator ... ..	3	—	47161A	—	47162A
<b>AMMETER</b> ... ..	3	2AR	36296A	2AR	†36296A
<b>BATTERY</b> ... ..	—	MLZ9E	54028459	PUZ5A	54027029
<b>CABLE HARNESS</b> ... ..	3	—	54938862	—	54952128
<b>CAPACITOR</b> ... ..	3	—	—	2MC	54170009
Spring ... ..	3	—	—	—	54483156
<b>COIL, IGNITION</b> ... ..	3	MA6	45152B	MA12	45110D
<b>CONTACT BREAKER UNIT</b> ... ..	3	CA1A	47609A	4CA	*47628A (425379 54419167)
<b>DIODE, ZENER</b> ... ..	3	—	—	ZD715	49345A
<b>HORN</b> ... ..	3	8H	70163D	6H	70197D
<b>HORN PUSH AND DIPPER SWITCH</b> ... ..	5	25SA	31563D	25SA	31563D
<b>LAMPS</b>					
Head					
Home and Export vertical dip ... ..	4	SS700P	58878A	—	—
Later ... ..	4	SS700P	58934A	—	—
Export U.S.A. ... ..	4	—	—	SS700P	59529A
Stop tail, number plate illumination and reflex ... ..	4	564	53432D	679	53973D
<b>RECTIFIER</b> ... ..	3	2DS506	49072A	2DS506	49072A
<b>SWITCHES</b>					
Ignition ... ..	5	88SA	34427B	S45	31899B
Cover (order separately) ... ..	5	—	54336178	—	—
Lighting ... ..	5	88SA	34289A	57SA	31788D
Knob (order separately) ... ..	5	—	54330934	—	—
Stop lamp ... ..	5	6SA	31688B	6SA	31688B
<b>REAR SUSPENSION UNIT</b>					
(Serviced by Girling Ltd.) ... ..	—	—	4734(SB3)	—	4604(SB3)

† Part of headlamp

\*When ordering, quote part number shown in brackets

*This publication incorporates NVS 2342 which should be destroyed.*

**JOSEPH LUCAS (Sales & Service) LIMITED · BIRMINGHAM 18 · ENGLAND**

Compiled and issued by Parts Publications, Technical Records Department, Joseph Lucas (Sales and Service) Ltd., Great Hampton Street, Birmingham 18

© Joseph Lucas (Sales and Service) Ltd.

Printed in England



## CABLE HARNESSES

Part No. ...	54938862	54952128
Eyelet ( $\frac{3}{16}$ " ) ...	—	850405
Eyelet ( $\frac{1}{4}$ " ) ...	850406	850406
Eyelet ( $\frac{3}{8}$ " ) ...	850402	850402
Nipple ...	900269	900269
Connector tube (2 way) ...	900288	900288
Connector tube (4 way) ...	850641	—
Connector tube (8 way) ...	850832	—
Connector, Lucar, 17.5 amp. ...	54942078	54942078
Connector, Lucar, 17.5 amp. double ...	54942747	54942747
Connector, Lucar, 35 amp. ...	—	54942079
Sleeve, Lucar, 17.5 amp. ...	54190042	54190042
Sleeve, Lucar, 17.5 amp. double ...	54190119	54190119
Sleeve, Lucar, 35 amp. ...	—	54190043
Bulbholder (speedo) ...	—	54945043
Bulb ...	—	281
Grommet ...	862217	—

## COILS, IGNITION

Part No. ...	45152B	45110D
Model ...	MA6	MA12
Grommet, rubber ...	421554	421554
Clip, cable contact ...	421863	421863
Nut, switch and contact breaker terminals ...	166043	166043
Washer, shakeproof, terminal ...	188330	188330
Washer, plain, terminal ...	131023	131023
Connector, Lucar ...	54190108	54190108

## CONTACT BREAKER UNITS

Part No. ...	47609A
Model ...	CA1A
Plate ...	465958
Nut, terminal ...	166094
Washer, plain, terminal ...	131023
Washer, terminal insulating ...	161353
Bush, terminal insulating ...	419950
Contact set ...	420196
Condenser ...	54413002
Cam ...	465939
Spring set, automatic advance ...	421457/S
Toggle ...	407131
Weight ...	415730
Sleeve and action plate ...	469107

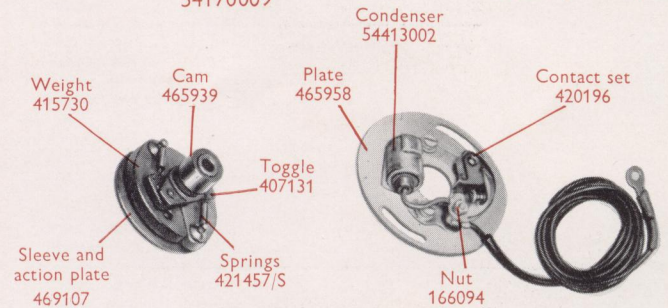
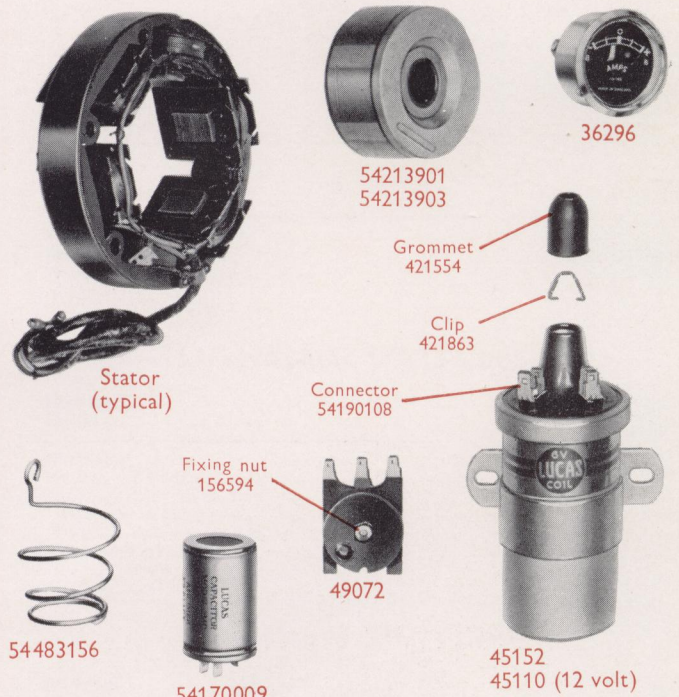
Part No. ...	47628A
Model ...	4CA
Contact breaker ...	425379
Nut, condenser angle plate fixing ...	169194
Contact set ...	54415803
Plate, condenser, terminal insulating ...	425382
Condenser ...	425377
Plate, contact breaker base ...	425370
Felt cam, lubricating ...	425378
Auto advance unit ...	54419167
Springs, auto advance ...	54413020
Weights, auto advance ...	54440031
Sleeve and action plate ...	54415655

## HORNS

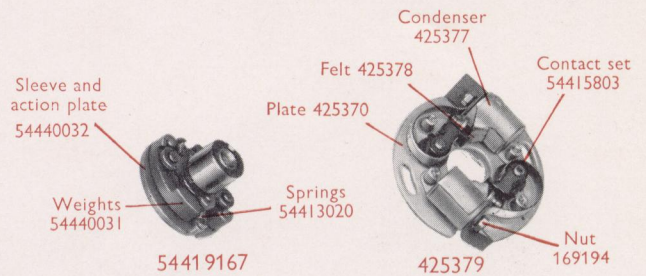
Part No. ...	70163D	70197D
Model ...	8H	6H
Bracket ...	54680850	—

## RECTIFIER

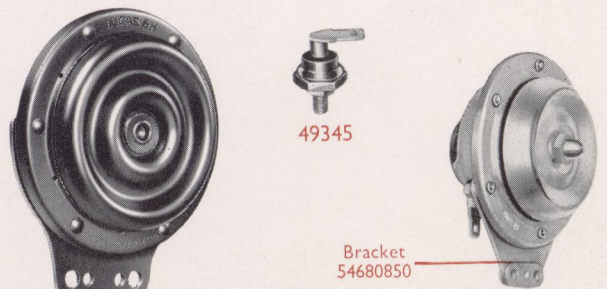
Part No. ...	49072A
Model ...	2DS506
Rectifier fixing nut ...	156594

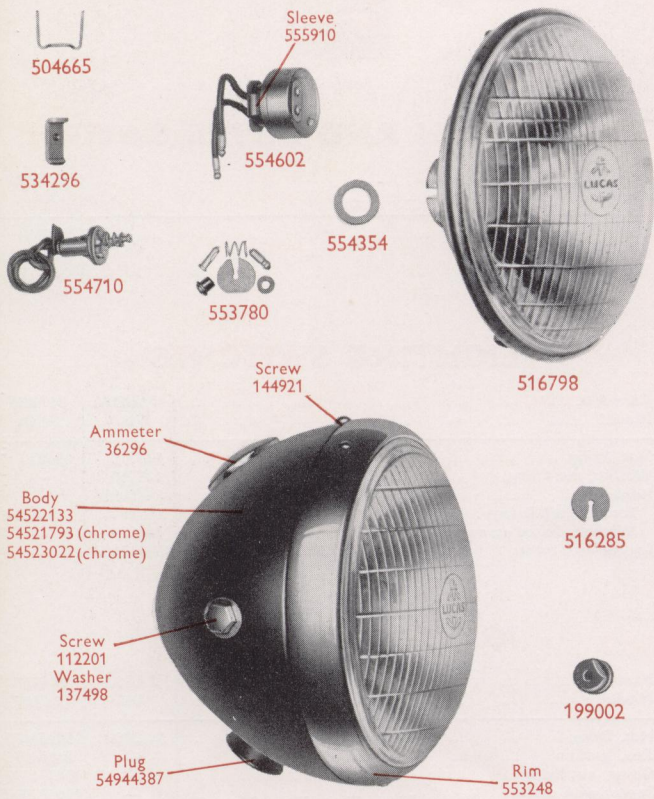


### MODEL CA1A

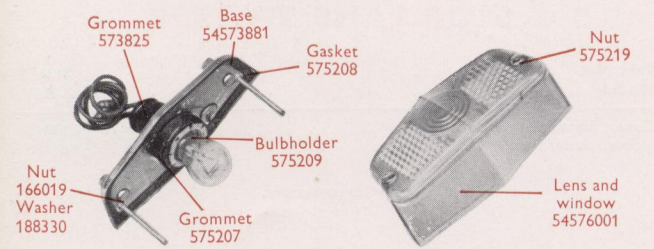


### MODEL 4CA

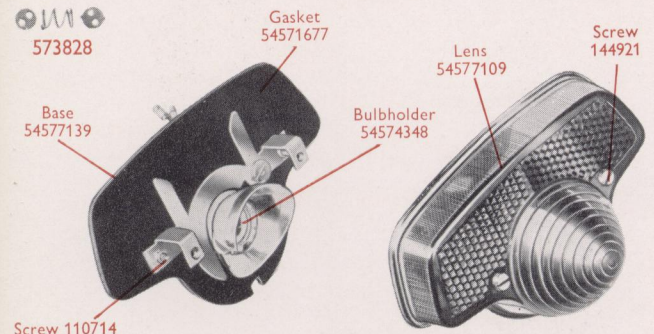




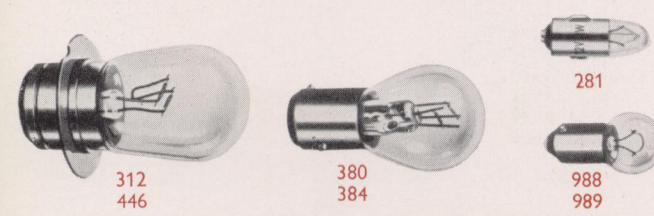
MODEL SS700P



MODEL 564



MODEL 679



HEADLAMPS

Part No. Model	58878A SS700P	58934A SS700P	59529A SS700P
Rim or door	553248	553248	553248
Wire, fixing	504665	504665	504665
Screw, rim fixing	144921	144921	144921
Plate, rim fixing	534296	534296	534296
Ammeter (see page 3 for details)	36296	36296	36296
Light unit	516798	516798	516798
Bulbholder, main	554602	554602	554602
Sleeve, terminal	555910	555910	555910
Bulbholder, pilot	554710	554710	554710
Interior, pilot	553780	553780	553780
Ring, bulbholder seating	554354	554354	554354
Washer, cable grip pilot	516285	516285	516285
Screw, lamp fixing	112201	112201	112201
Washer, lamp screw fixing	137498	137498	137498
Grommet, cable	199002	—	—
Plug with cable	54944387	—	—
Screw, plug fixing	133303	—	—
Nut, plug screw fixing	166103	—	—
Washer, screw fixing	188412	—	—
Ring, plug retaining	516409	—	—
Body	54522133	54521793	54523022
Bulb, main	312	312	446
Bulb, pilot	988	988	989

STOP TAIL, NUMBER PLATE  
AND REFLEX LAMPS

Part No. Model	53432D 564
Lens and window	54576001
Nut, barrel, lens fixing	575219
Gasket, lens seating	575208
Base	54573881
Grommet, bulbholder	575207
Bulbholder, shell	575209
Interior, bulbholder	573828
Grommet, cable	573825
Nut, lamp fixing	166019
Washer, shakeproof	188330
Washer, spacer, bolt fixing	131023
Bulb	384

Part No. Model	53973D 679
Lens	54577109
Screw, lens fixing	144921
Bulbholder, with reflector	54574348
Interior, bulbholder	573828
Baseplate	54577139
Gasket, lamp seating	54571677
Screw, lamp fixing	110714
Washer, screw fixing	188330
Bulb	380

BULBS

Bulb No.	Watts	Description	Volts
281	2	Coil	12
380	21/6	Transverse	12
384	18/6	Transverse, offset pin	6
446	50/40	Transverse, vertical dip	12
988	3	Coil	6
989	6	Coil	12



## HORN PUSH AND DIPPER SWITCH

Part No.	Model	31563D 25SA
Button and cover assembly	...	380660
Base and lever assembly	...	380658
Screw, terminal	...	120610

## LIGHTING SWITCHES

Part No.	Model	34289A 88SA	31788D 57SA
Nut, fixing	...	180316	153630
Washer, nut fixing	...	188350	—
Knob	...	†54330934	—
Screw, knob fixing	...	101371	—
Washer, dished screw seating	...	332529	—
Socket with cables	...	†54930007	—

## IGNITION SWITCHES

Part No.	Model	31899B S45	34427B 88SA
Nut, fixing	...	54130041	54336177
Key, ignition	...	—	54336176
Cover, nut fixing	...	—	†54336178
Socket with cables	...	—	†54930008

## STOP LAMP SWITCH

Part No.	Model	31688B 6SA
Cover, terminal, rubber	...	360363
Sleeve, terminal	...	188818

† Order separately.

